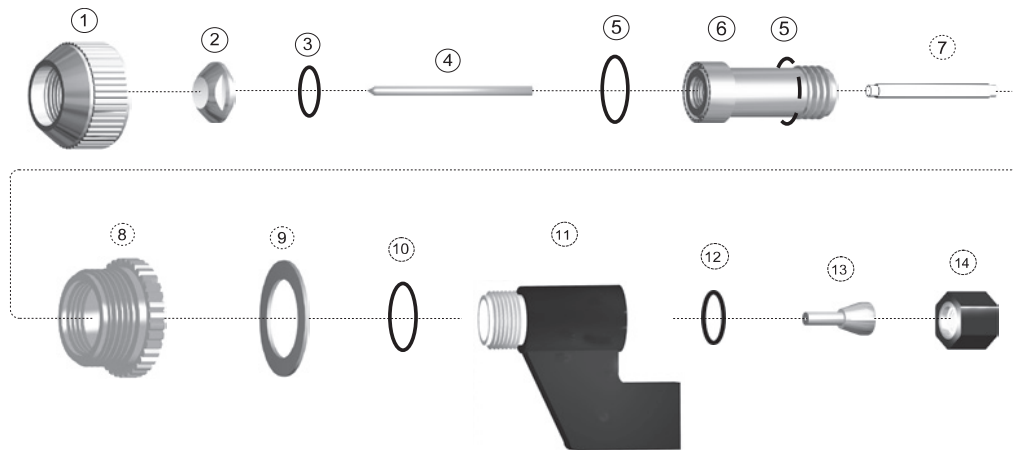


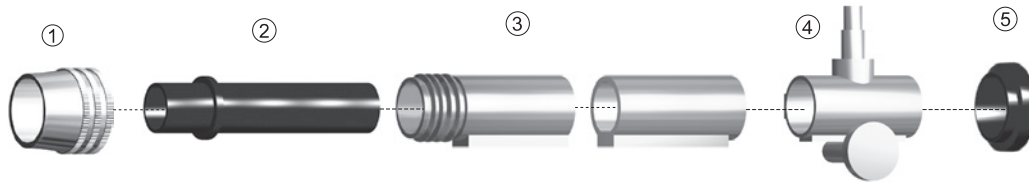
REPLACEMENT PARTS SUITABLE FOR Thermal Dynamics®

PWM 300 WELDING TORCH



Item	Part No.	Ref. No.	Description	Std. Pkg.	Item	Part No.	Ref. No.	Description	Std. Pkg.
1.	T-2360	8-4373	End Cap	1	7.	T-2365	8-6651	Insulating Sleeve	1
2.	T-2361	8-4370	Tip, .093, 200A	5	8.	T-2366	8-6652	Shield Cup Diffuser	1
	T-2362	8-4371	Tip, .113, 250A	5	9.	T-0230	8-6512	Gasket	5
	T-2363	8-4372	Tip, .125, 300A	5	10.	T-0108	8-0531	O-Ring	10
3.	T-2152	9-2863	O-Ring	10	11.	T-2369	8-6649	Torch Body	1
4.	T-1454	9-1827	Electrode	5	12.	T-2082	8-0534	O-Ring	10
5.	T-1029	9-2956	O-Ring	10	13.	T-2367	8-6650	Collet	1
6.	T-2364	8-6509	Liner (includes 50-720S 2x)	1	14.	T-2368	8-6654	Electrode Cap	1

ACCESSORIES



Item	Part No.	Ref. No.	Description	Std. Pkg.	Item	Part No.	Ref. No.	Description	Std. Pkg.
1.	T-0157	8-4018	Nut	1	NS	T-2866	2-2845	PMW300 with 12.5' Leads	1
2.	T-0183	9-1901	Adapter	1	NS	T-2867	2-2846	PMW300 with 25' Leads	1
3.	T-0159	8-5005	Mounting Tube	1	NS	KT-1207 (T-1445)	9-3088	PWH, M4A® Hose, shield, 4A/6A, 25'	1
4.	T-0160	7-2827 OEM	Pinion Assembly	1	NS	KT-1206 (T-1443)	8-1505	PWH, M4A® Hose, plas., 25'	1
5.	T-0161	8-4204	Bushing	1	NS	KT-1186 (T-1438)	9-2079	PWH, M4A® Lead, neg. W.C., 12,5' (3,8m)	1
NS	KT-1199	4-2525	Torch Leads, 12.5 ft.	1	NS	KT-1200 (T-1440)	9-2081	PWH, M4A® Lead, pos. W.C., 12,5' (3,8m)	1
NS	KT-1204	4-2544	Torch Leads, 25 ft.	1	NS	KT-1201 (T-1439)	8-1398	PWH, M4A® Lead, neg. W.C., 25' (7,6m)	1
NS	T-0236	8-6517 OEM	Wrench	1	NS	KT-1202 (T-1441)	8-1399	PWH, M4A® Lead, pos. W.C., 25' (7,6m)	1

NS NOT SHOWN IN THE PICTURE

Last update of this page: 18/05/2017. See Revision history for details.

THERMACUT®
THE CUTTING COMPANY

WWW.THERMACUT.CZ
TEL.: +420.556.423.418
SALES@THERMACUT.CZ

WWW.THERMACUT.DE
TEL.: +49 (0) 27 39 40 33 0
INFO@THERMACUT.DE

WWW.THERMACUT.COM
TEL.: 1-603-542-6715
CUSTOMERSERVICE@THERMACUT.COM

THERMACUT®, FHT-EX® AND EX-TRAFIRE® ARE REGISTERED TRADEMARKS OF THERMACUT, K. S. AND MAY BE REGISTERED IN CZECH REPUBLIC AND/OR OTHER COUNTRIES. ALL OTHER TRADEMARKS ARE PROPERTIES OF THEIR RESPECTIVE OWNERS. THERMACUT IS NO WAY AFFILIATED WITH Thermal Dynamics®. MOST THERMACUT PARTS ARE MADE FOR OR BY AN IBC COMPANY. PARTS INDICATED WITH A OEM ARE ORIGINAL PARTS MANUFACTURED BY THE ABOVE NAMED MANUFACTURER AND ARE BEING RESOLD BY THERMACUT. THERMACUT RESERVES THE RIGHT TO SUBSTITUTE OEM PARTS IN PLACE OF THERMACUT PARTS. VALID FROM MAY 2017 • PREVIOUS VERSION IS NO LONGER VALID. © COPYRIGHT 2017 BY THERMACUT® CZECH REPUBLIC. ALL RIGHTS RESERVED.